

VideoMicro™

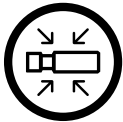
COMPACT ON-CAMERA MICROPHONE

The VideoMicro is an ultra-compact microphone designed to significantly improve the audio quality of your videos. It features a high-quality cardioid condenser capsule, rugged aluminium construction, and durable black ceramic anti-glare coating, making it a great addition to any content creation kit. The VideoMicro has no complicated switches or settings and is powered by your device's external microphone input, requiring no batteries to operate.

- Super compact and lightweight design, measuring 80mm in length and weighing just 42g
- Rugged, all-metal microphone body
- No battery required, powered by plug-in power
- Rycote® Lyre® shock mount included
- Deluxe furry windshield included



INTEGRATED RYCOTE®
LYRE® SHOCK MOUNT



COMPACT
DESIGN



NO BATTERY
REQUIRED



ACOUSTIC & ELECTRICAL SPECIFICATIONS

Acoustic Principle:	Pressure gradient
Polar Pattern:	Cardioid
Frequency Response:	100Hz - 20kHz
Signal to Noise Ratio:	75 dB SPL
Equivalent Noise:	20 dB SPL
Maximum SPL:	140 dB SPL (1 kHz @ 1m)
Sensitivity:	-33dB re 1V/Pa (22mV @ 94dB SPL) ± 2dB @ 1kHz
Dynamic Range:	120dB SPL
Power Requirements:	Plug-in power required (2V-5V DC)
Microphone Output:	3.5mm TRS- mini-jack (dual mono)
Material:	Aluminium
Colour:	Black



MECHANICAL SPECIFICATIONS

Weight (grams):	42
Dimensions (millimetres):	Length: 80
	Height: 68
	Depth: 21

WHAT'S IN THE BOX



VideoMicro



Lyre



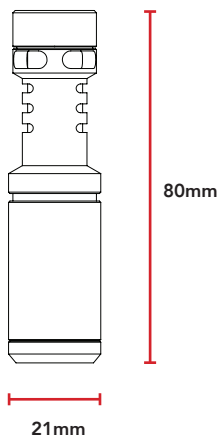
SC2 TRS - TRS Cable



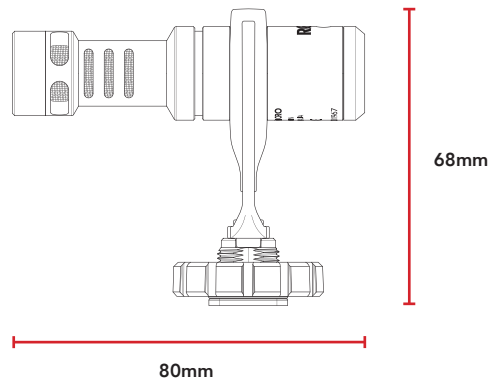
WS9

DIMENSIONS

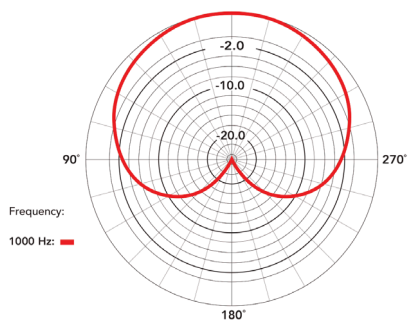
Top view



Side view



POLAR PATTERN



FREQUENCY RESPONSE

